

Infinity Clear Desk Shield

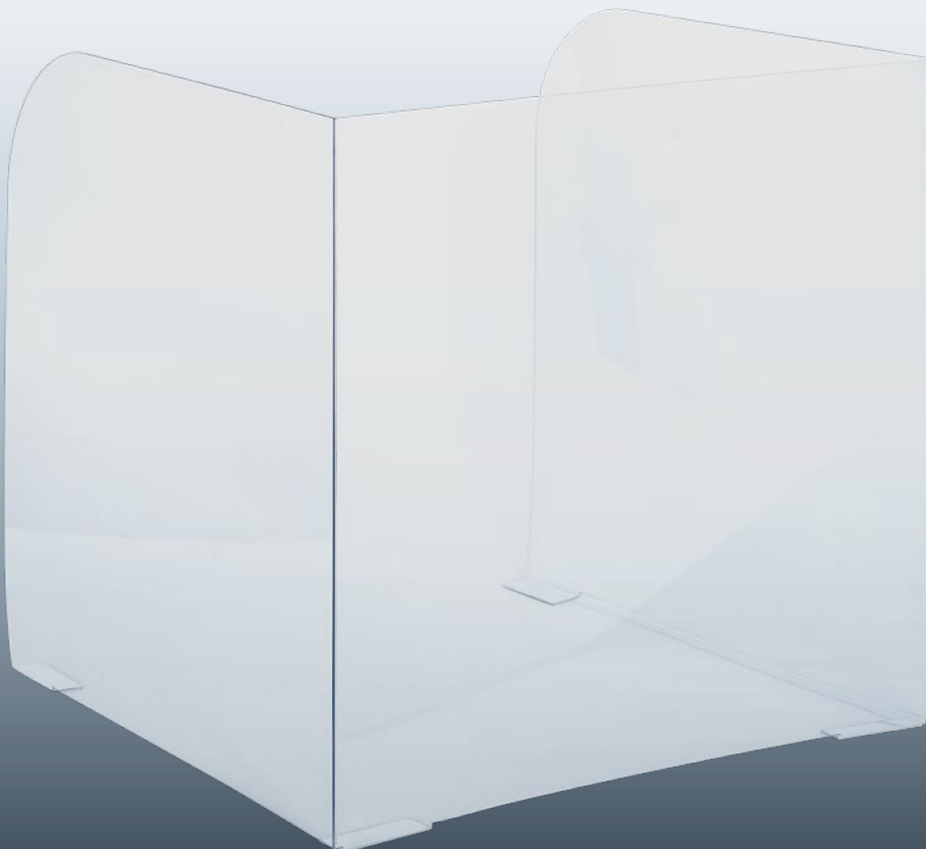
Lightweight, clear from edge to edge, easily portable desk shield

- 0.060 Copolyester
- Crack resistant
- Optically clear edge to edge design
- Designed with base tabs for sturdy upright position
- Easily cleaned and wiped down with regular cleaning supplies
- Weighs under 3 lbs

Image Options Infinity Clear Desk Shield is designed to help foster a safer and more comfortable environment as students and teachers return to class. These shields provide edge to edge clear barrier protection for everyone in class. Lightweight, the shields can be easily moved from one location to another. Tabs allow for lowtac adhesive to create a more sturdy but easy to remove desktop application.

Email: info@imageoptions.net

Buy Now

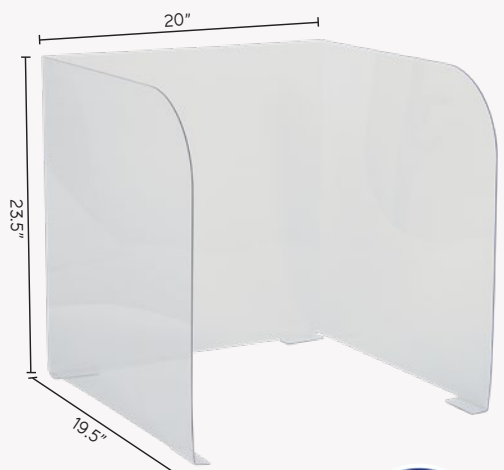


Size: 59" x 23.5" Open Flat

Size: 20" x 23.5" Folded

Weight: under 3 lbs

.060 Copolyester



Proudly made in the USA

